

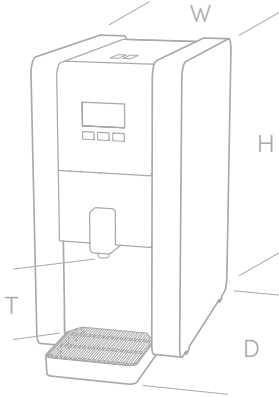


# MIX COUNTERTOP MULTI-TEMP WATER BOILERS/ PUSH BUTTON



MIX PB3 1000870	MIX PB8 1000875	DIMENSIONS
		
<ul style="list-style-type: none"> <li>• 3 or 8 litre options</li> <li>• Up to 70% more energy-efficient</li> <li>• Removable drip tray</li> </ul>	<ul style="list-style-type: none"> <li>• 28 litre output per hour</li> <li>• 156 cups (180ml) per hour</li> </ul>	

SEE TABLE FOR  
PRODUCT DIMENSIONS

PROGRAMMABLE FOR ON-DEMAND AND ACCURATE WATER DELIVERY IN THREE SEPARATE TEMPERATURES AND VOLUMES.

BOILERS

NAME ORDER CODE	POWER @ 230V	IMMEDIATE DRAW OFF	DIMENSIONS (D x W x H mm)	TAP TO COUNTER (T mm)	PLUMBING REQS
Mix PB3 1000870	2.8kW	3 L	435 x 210 x 421	126	3/4" BSP
Mix PB8 1000875	2.8kW	8 L	435 x 210 x 592	127	3/4" BSP

PACKAGING

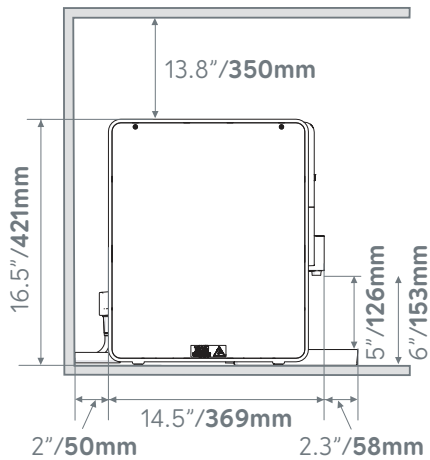
NAME ORDER CODE	PACKED WEIGHT	PACKAGING DIMENSIONS (L x W x H mm)	QUANTITY PER PALLET
Mix PB3 1000870	11kg	450 x 290 x 540	24
Mix PB8 1000875	14kg	450 x 290 x 700	18

# MIX COUNTERTOP MULTI-TEMP WATER BOILERS/ PUSH BUTTON

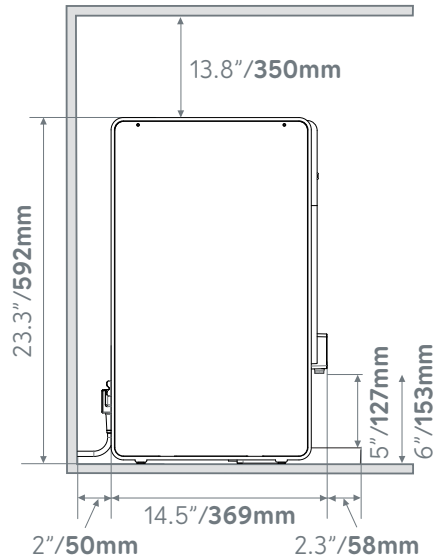


## MIX PB3 & MIX PB8

### MIX PB3 1000870



### MIX PB8 1000875



#### VENTILATION REQUIREMENTS

50mm/1.9" clearance required at each side and back of machine if installed in an enclosed cabinet.

#### ELECTRICAL INSTALLATION PROCEDURE

When installing the machine, always observe the local regulations and standards. The standard machine is supplied with a UK 3-pin plug. For EU models a 2-pin CEE-7 plug will be supplied. US models will be supplied with the suitable plug. A suitable mains power supply socket should be available within easy access of the appliance so that it can be disconnected easily after install.

#### PLUMBING INSTALLATION PROCEDURE

- Ensure that the equipment is installed according to local plumbing & water regulations.
- Mains water pressure required (limits): 14.5 - 145psi (100 - 1000kPa, 0.1 - 1MPa).
- Requires inline water filter within your water specifications.
- The machine is supplied with a 3/4" BSP connection.
- Turn on the water to flush any impurities, dust etc from the inlet hose and water pipe. Allow several litres through. Especially for new installations.

- Connect the hose to the inlet valve of the boiler. Make sure a sealing washer is fitted.
- Turn on water and check for leaks.

#### OPERATING BOILER FOR THE FIRST TIME

- Check that all installation procedures have been carried out.
- Ensure water valve is on.
- Plug boiler into suitable socket.
- Turn on the power switch.
- The "Wait" progress circle will be visible on the screen and the machine will fill to a safe level, above the elements, before heating.
- The "Ready" tick will come up on screen when the machine is full and up to normal operating temperature (approx. 10/20 mins).
- The boiler is now ready for use - the display will show the button settings and the "Ready" status tick.
- The Boiler may now be used to dispense Hot Water to the preset factory settings.

**NOTE:** Because the boiler is electronically controlled no priming is necessary. The element cannot switch on until a safe level of water is reached.