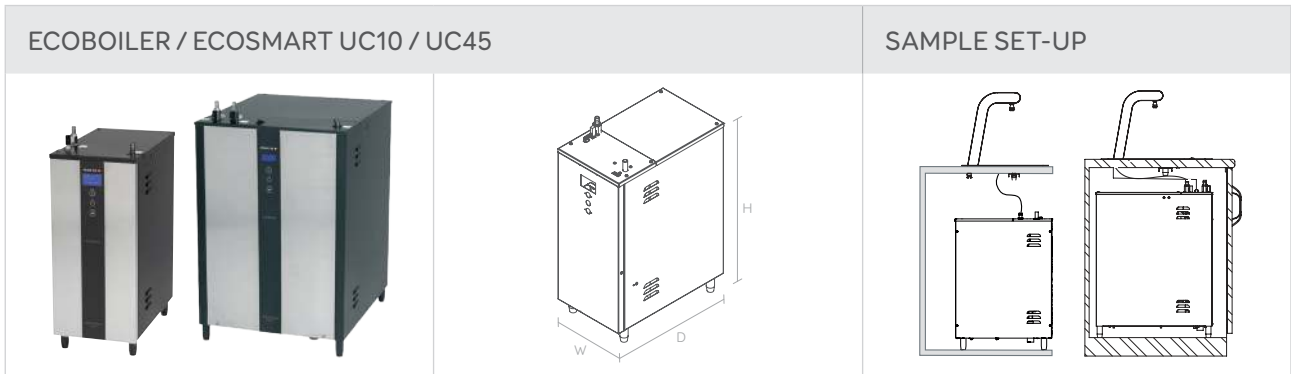






# ECOBOILER/ECOSMART UC10/UC45



	PRODUCT INFO		FONT DIMENSIONS			PACKAGING		
	NAME ORDER CODE	DIMENSIONS INCL. DRIP TRAY (D x W x H mm)	DIMENSIONS EXCL. DRIP TRAY (D x W x H mm)	TAP TO COUNTER (T mm)	PACKED WEIGHT	PACKAGING DIMENSIONS (L x W x H mm)	QTY/ PALLET	
<b>FONTS</b>  OR  OR  OR	 1b MIX Font 1000878	168 x 120 x 287	128 x 30 x 287	247	2kg	290 x 570 x 215	30	
	 Über Font 1 connection 1000812	470 x 250 x 400	n/a	295	7kg	490 x 280 x 670	24	
	Über Font 2 connections 1000811							
	 Über Font (Low) 1 connection 1000812L	470 x 250 x 272	n/a	172	2.4kg	240 x 140 x 340	24	
	Über Font (Low) 2 connections 1000811L							
	 Tubular Font 1000584	n/a	114 x 50 x 303	156	2.4kg	240 x 140 x 340	32	
Tubular Font with Drip Tray 1000585	175 x 125 x 303	n/a	140	24				

	WATER TYPE	SIZE	PERFORMANCE SPECS			PLUMBING & ELECTRICAL REQS		PACKAGING		
			NAME ORDER CODE	TEMP ADJUST	DIMENSIONS (D x W x H mm)	IMMEDIATE DRAW OFF	L/HR	CUPS /HR	POWER @220V	PLUMBING REQS
Ecosmart UC10 1000751	Y	395 x 228 x 585	10L	28L	156	2.8kW	3/4" BSP	550 x 320 x 750	12.5kg	10
Ecoboiler UC10 1000741	N									
Ecosmart UC45 1000754	Y	495 x 420 x 667	45L	56L	311	5.6kW	3/4" BSP	600 x 520 x 700	22kg	4
Ecoboiler UC45 1000744A	N									