
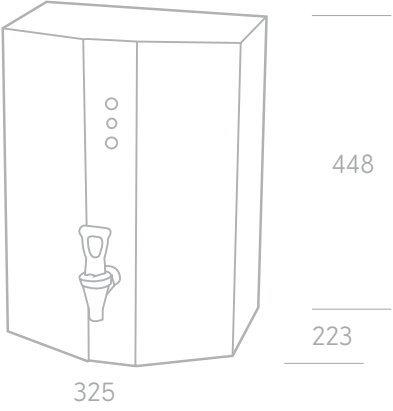


ECOBOILER TAP WALL MOUNT



ECOBOILER WALL MOUNT 1000671	DIMENSIONS
	
<ul style="list-style-type: none"> • 133 cups (180ml) per hour 	<ul style="list-style-type: none"> • Wall mounted to take up minimal space

BOILER

NAME ORDER CODE	POWER @ 230V	IMMEDIATE DRAW OFF	OUTPUT PER HOUR	CUPS (180ml) PER HOUR	DIMENSIONS (D x W x H mm)	PLUMBING REQS
Ecoboiler WMT 5 1000671	2.4kW	5 L	24 L	133	223 x 325 x 448	3/4" BSP

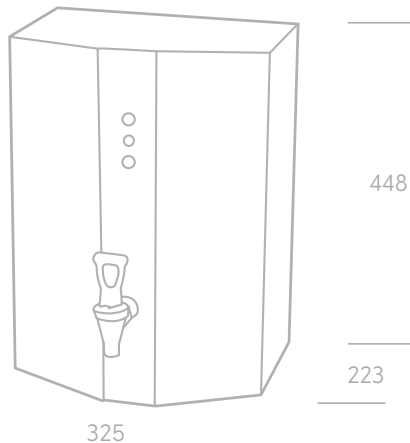
PACKAGING

NAME ORDER CODE	PACKED WEIGHT	PACKAGING DIMENSIONS (L x W x H mm)	QUANTITY PER PALLET
Ecoboiler WMT 5 1000671	12kg	330 x 410 x 480	16

ECOBOILER WMT5

ECOBOILER WMT5

1000671



ELECTRICAL INSTALLATION PROCEDURE

- Electrical specification: 2.4kW-230V-50Hz
- Suitable fusing for a 2.4-3 KW circuit.
- Ensure the machine is fully earthed.

PLUMBING INSTALLATION PROCEDURE

NOTE: Marco recommend that this machine be positioned over a counter with a drainage facility. Marco cannot be held responsible for any flood damages.

- Mains water pressure required (limits): 5 - 50psi (35 - 345kPa).
- Fit a stop Valve on a cold water line and attach a 3/4" BSP male fitting, (E.g. 3/4" x 1/2" 311 or washing machine type stop valve).
- Connect the hose to the inlet valve of the boiler (again 3/4" BSP). The orientation of the tail piece will vary depending on whether machine is plumbed at the rear or at the underside.
- Connect the other end of the inlet hose to the stop valve fitting. Make sure that the pre-attached sealing washer is fitted.
- If the overflow tubing is pumped it must be pumped with a tundish device. If the overflow tubing is not pumped the overflow tube should stick out of the base of the machine.
- Turn on water and check for leaks.
- Turn on the water to flush any impurities, dust etc from the inlet hose and water pipe. Allow several litres through.

OPERATING BOILER FOR THE FIRST TIME

- Check that all installation procedures have been carried out.
- Ensure water valve is on and there is power to the appliance.
- The "Ready/Status" light will cycle two red flashes while the machine is filling to the safe level.
- Whilst the machine is above the safe level and filling, the "Ready/Status" light will remain blank.
- The "Ready/Status" light will glow green when the machine is both full and up to normal operating temperature.
- The boiler is now ready for use.

NOTE: Because the boiler is electronically controlled no priming is necessary. The element cannot switch on until a safe level of water is reached.

ECO MODE OPERATION:

- All ECO Boilers use high grade insulation and it is applied to give a significant energy usage improvement over a standard water boiler.
- The ECO Boiler incorporates a ½ tank 'ECO mode' function. To enable the 'ECO Mode' press the button located below the 'Ready' indicator so that the leaf symbol illuminates green.
- This mode saves energy by minimising the energy wasted during machine down-time. **NOTE:** The ECO mode is most effective in installations where the machine has a regular 'off' period.
- To achieve the most benefit from the energy saving 'ECO Mode' on your ECO boiler unit the following method should be employed:
 - Towards the end of the boilers operating period for a given day, switch the machine to ECO Mode.
 - Whilst maintaining water at 96°C, the machine tank will slowly drop to half full, where it will remain.
 - At the end of the machines operating period it should be turned 'off'.
 - During the 'off' period as there is less water in the tank there will be less energy lost to the surrounding environment resulting in an energy saving.
 - To disable simply press the 'ECO Mode' button again so that the leaf symbol is not illuminated.